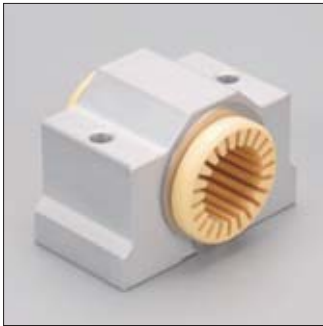
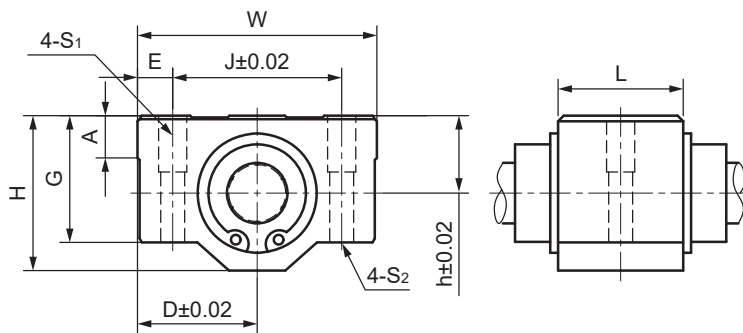


LIN-01GN 窄设计直线轴承座 Housing bearings, short design



- 封闭式窄轴承座设计
 - 装配LIN-01直线轴承
 - 阳极氧化铝合金座孔
 - 减小配合间隙
 - 免维护、低噪音
 - 适用于污垢或灰尘环境
 - 使用温度-20℃/+60℃
- Closed design with short housing
 - Assembled linear bearings LIN-01
 - Anodized aluminum housing
 - Reduced bearing clearance
 - Maintenance-free and low noise
 - Resistance to dirt and dust
 - Operation temperature -20℃/+60℃

标准规格 Standard specifications



产品编码 Part No.:

LIN-01GN-16

轴承内径 Inner diameter

 窄设计直线轴承座
Pillow block, short design

 LIN-01直线轴承
Standard bearings LIN-01

轴 Shaft: h6-h9

产品编码 Part No.	内装轴承 Bearing [mm]	轴径 Shaft [mm]	尺寸 Size [mm]										
			h	D	W	H	G	A	J	E	S ₁	S ₂	L
LIN-11GN-12	LIN-01-12	12	15	22	44	30	24	8	33	5.5	M5*12	Φ4.3	20.3
LIN-11GN-16	LIN-01-16	16	19	25	50	38.5	32.5	9	36	7	M5*12	Φ4.3	22.3
LIN-11GN-20	LIN-01-20	20	21	27	54	41	35	11	40	7	M6*12	Φ5.2	28.3
LIN-11GN-25	LIN-01-25	25	26	38	76	51.5	41	12	54	11	M8*12	Φ7	40.4
LIN-11GN-30	LIN-01-30	30	30	39	78	59.5	49	15	58	10	M8*12	Φ7	48.4

产品编码 Part No.	内径 I.D [mm]	公差 Tolerance [mm]	F max. [N] 最大动载荷 Dynamic Load P=5MPa	F max. [N] 最大静载荷 Static Load P=35MPa	重量 Weight [g]
LIN-11GN-12	12	0/+0.04	480	3360	16
LIN-11GN-16	16	0/+0.04	720	5040	52
LIN-11GN-20	20	0/+0.04	1125	7875	64
LIN-11GN-25	25	0/+0.05	1813	12688	136
LIN-11GN-30	30	0/+0.05	2550	17850	169